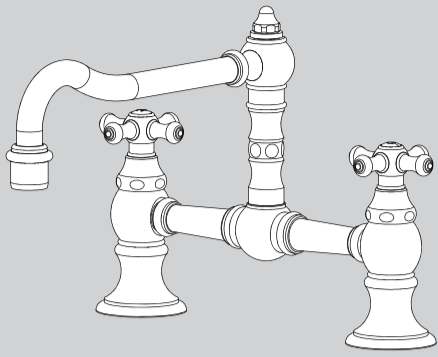


## INSTRUCTIONS FOR MODELS

SB-3241



### NEED HELP?

For additional assistance or service please contact:

**SPEAKMAN®**

800-537-2107

customerservice@speakman.com

www.speakman.com

92-SB-3241-01

## TOOLS AND SUPPLIES

Adjustable Wrench



Slip Joint Wrench



### HELPFUL TOOLS & SUPPLIES:

Thread Seal Tape



Safety Glasses

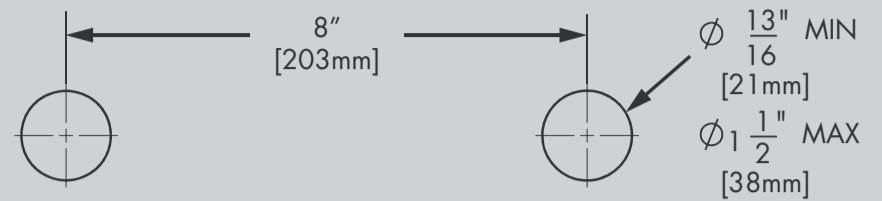


1

Turn off Water Supplies. Ensure mounting surface requirements are as follows:

- Two (2) Holes; 8" on Center, DIA 13/16" Min to DIA 1-1/2" Max.
- Surface Thickness 1-3/16" Max

Refer to Rough-In diagram.



## IMPORTANT

- Do not over-tighten any connections or damage may occur.
- Be sure to read instructions thoroughly before beginning installation.
- This faucet has an operating range of 20-80 psi.

### SAFETY TIPS

Cover your drain to prevent loss of parts. Be sure to wear eye protection while cutting pipe.

### MAINTENANCE

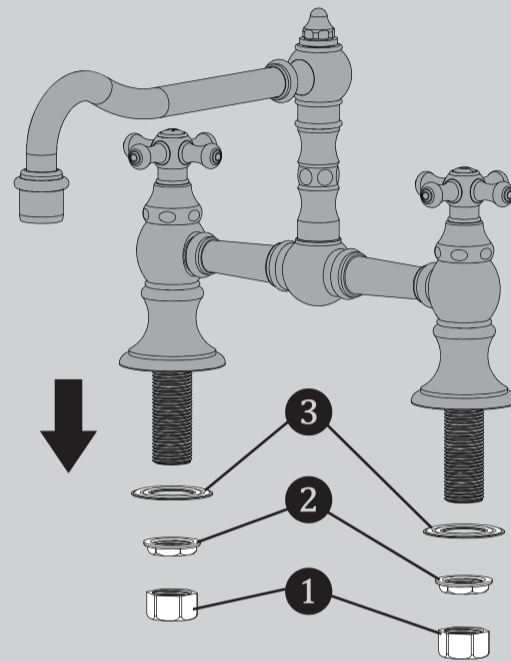
Your new Speakman Product is designed for years of trouble-free performance. Keep it looking new by cleaning it periodically with a soft cloth. The use of harsh chemicals and abrasives on any of the Speakman custom finish products may damage the finish and void the product warranty. Please be sure to only use approved cleaners. Please contact Speakman for any clarification of acceptable cleaners.

### WARRANTY

Warranty information can be found at: [www.speakman.com](http://www.speakman.com)

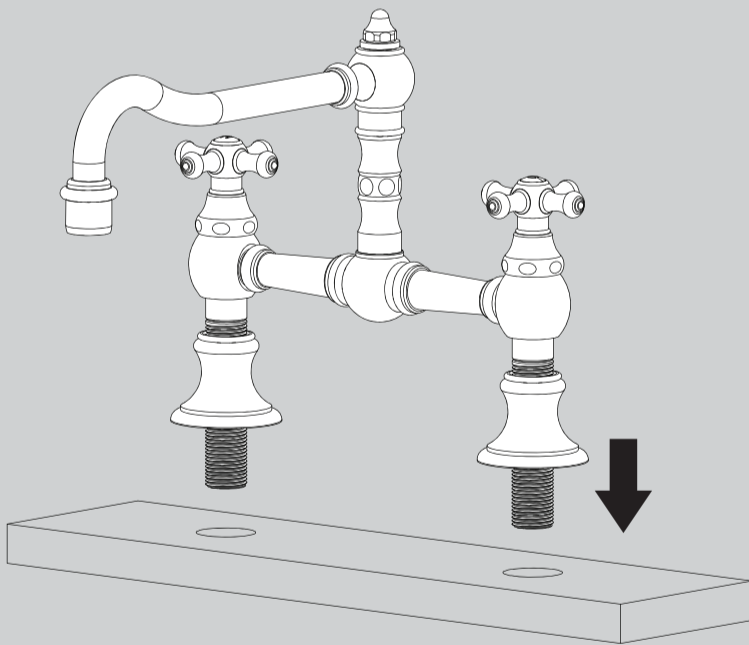
2

Remove Inlet Nuts (1), Mounting Nuts (2), and Washers (3) from Faucet.



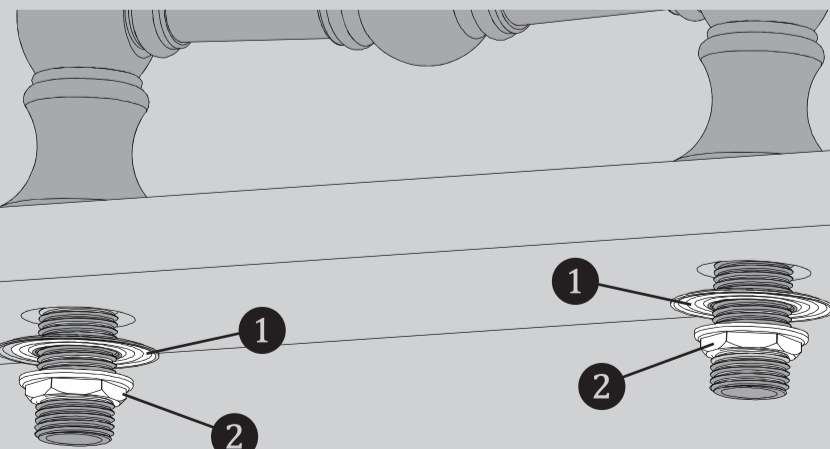
3

Position Faucet and Cover Bells on sink. Lower into position.



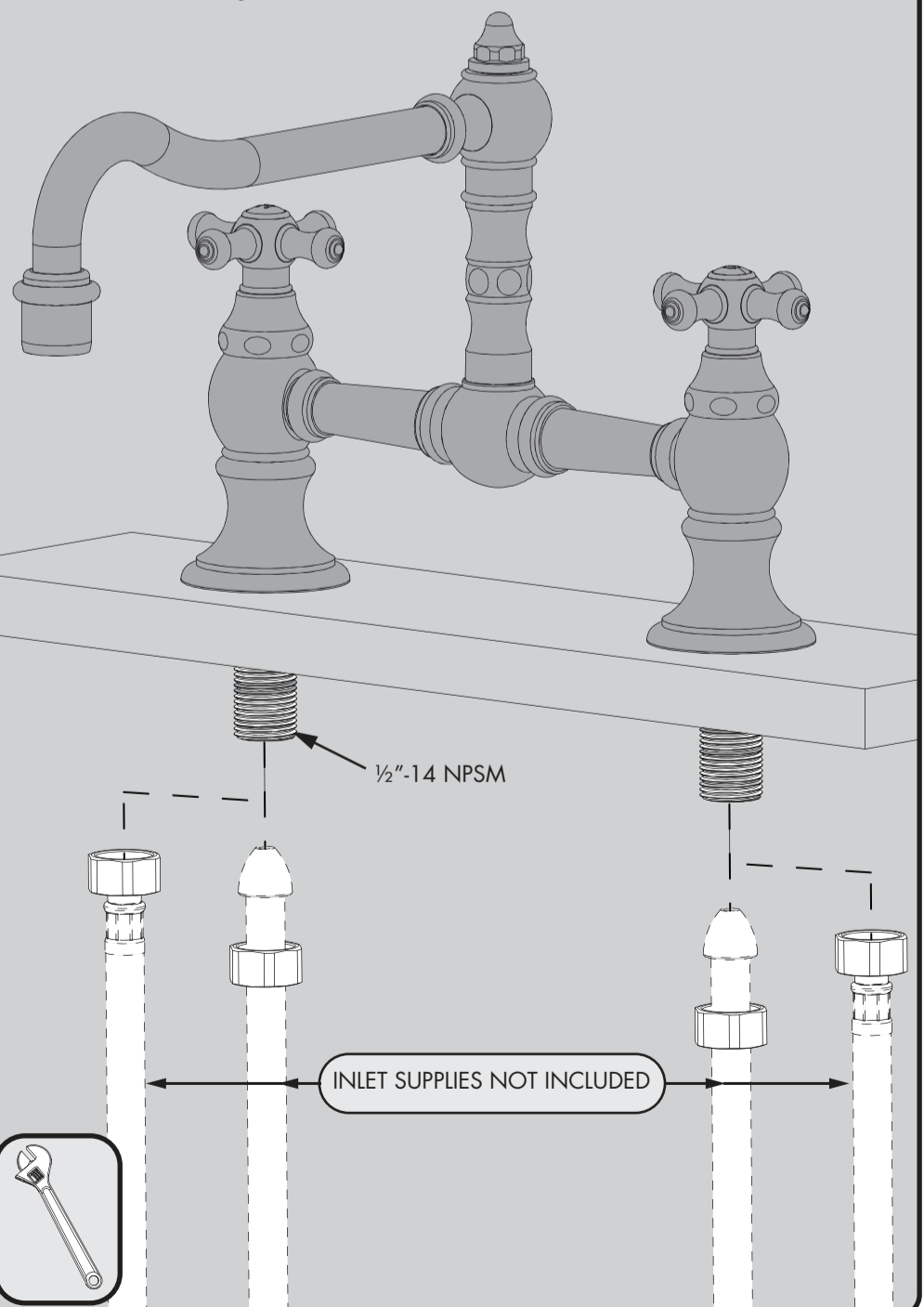
4

Assemble Washers (1) and Mounting Nuts (2) onto Faucet Shanks and wrench tighten. (DO NOT OVER TIGHTEN MOUNTING NUTS).

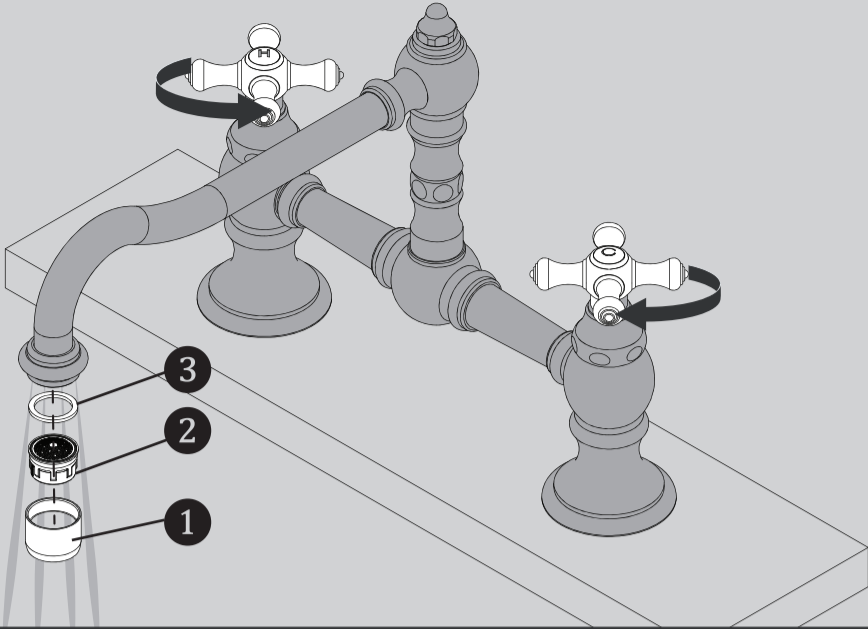


5

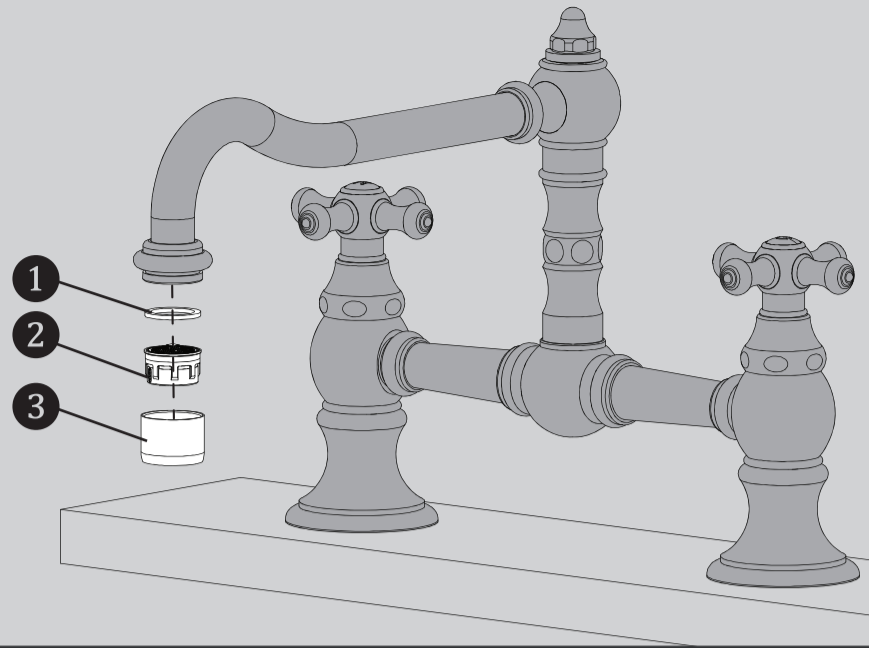
Assemble Water Supply Lines. Use 1/2" IPS faucet connections (not supplied). Use wrenches to tighten connections. Do not overtighten.



- 6**
- Remove the Housing (1) Aerator (2) and Rubber Washer (3).
  - Turn on water supplies and flush both COLD and HOT cartridges for one minute, while checking for leaks. Return Handles to closed position when complete.

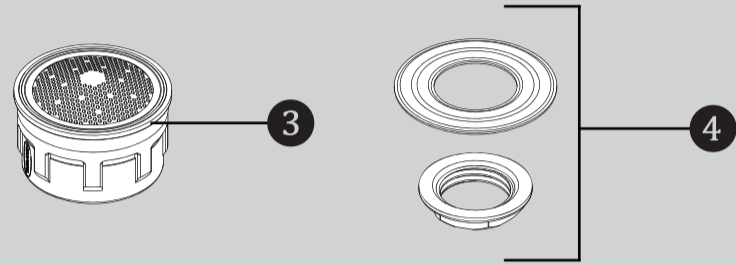
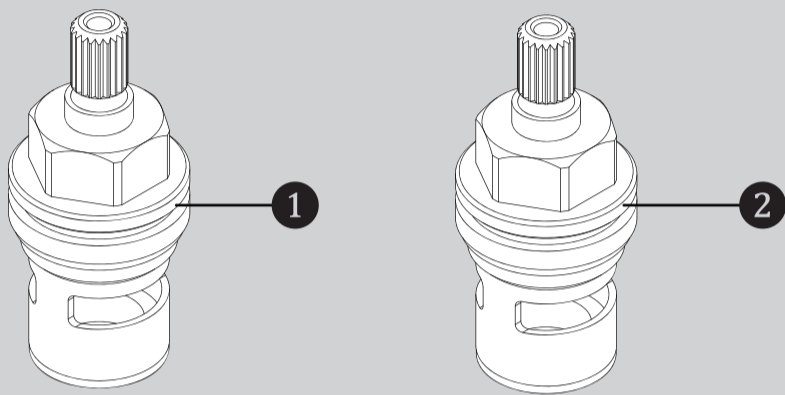


- 7**
- Re-install Rubber Washer (1), Aerator (2) and Housing (3). Ensure the Rubber Washer is properly seated and hand tighten to secure into position.



**SB-3241 REPAIR PARTS**

**SPEAKMAN®**



ITEM NO.	PART NO.	DESCRIPTION
1	RPG05-114665	REPAIR GROUP, HOT CARTRIDGE
2	RPG05-115717	REPAIR GROUP, COLD CARTRIDGE
3	RPG05-114678	REPAIR GROUP, AERATOR
4	RPG05-116122	REPAIR GROUP, MOUNTING HARDWARE

**SB-3241 ROUGH-IN DIAGRAM**

**SPEAKMAN®**

**NOTES:**

**COMPLIANCE:**

ASME A112.18.1/CSA B125.1  
NSF/ANSI 61  
NSF/ANSI 372  
CEC

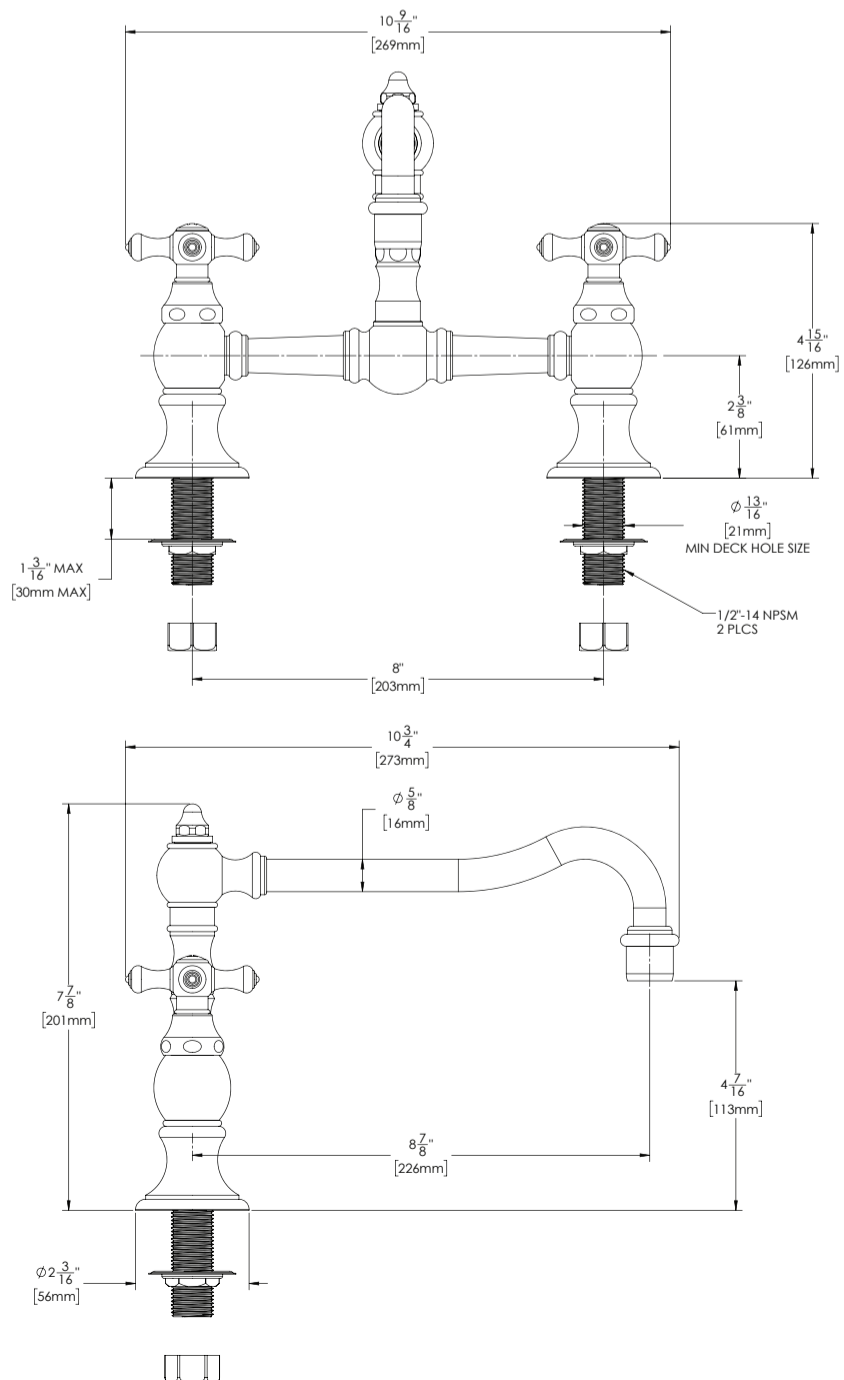
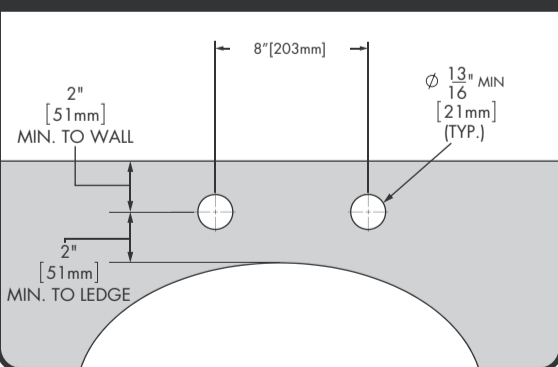
**FLOW DATA:**

1.8 gpm (6.8 L/min max)

**CONNECTIONS:**

Supply Connection:  
1/2"-14 NPSM Connection  
Contractor to supply necessary inlet connections.

**LAVATORY ROUGH-IN**



DIMENSIONS SUBJECT TO CHANGE WITHOUT NOTICE.